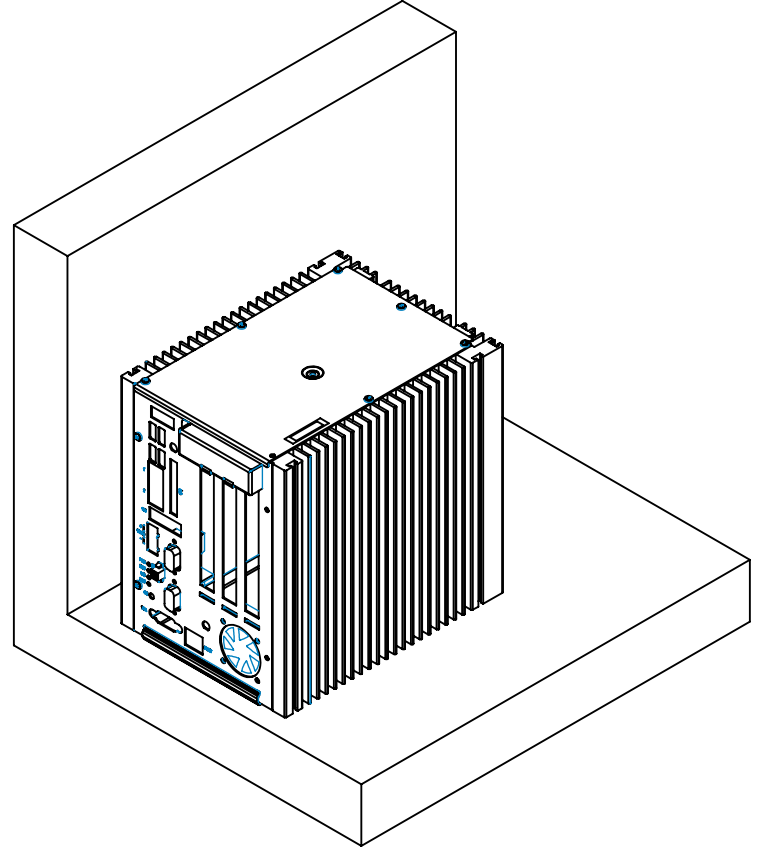
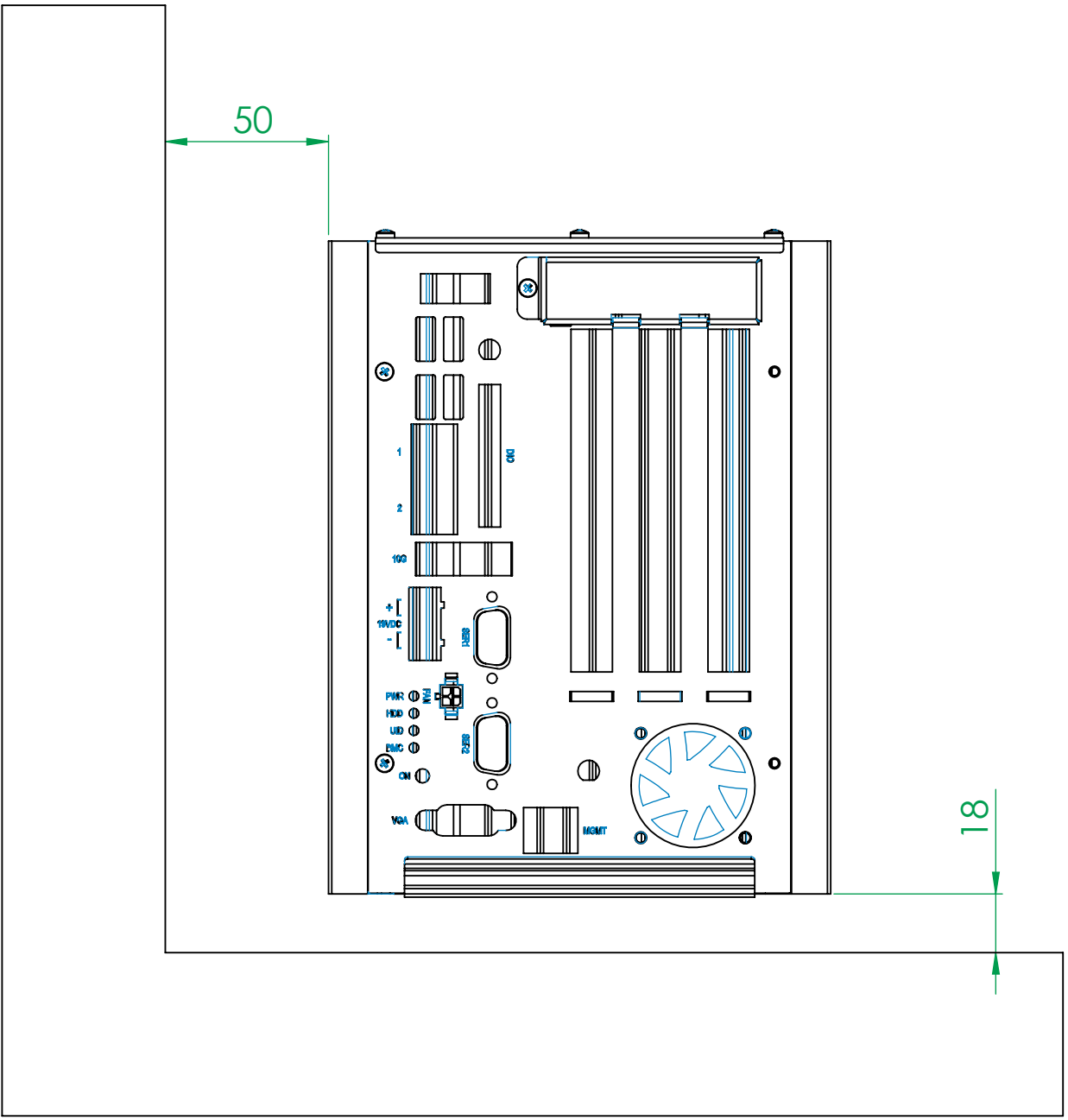


THIS DOCUMENT AND THE INFORMATION CONTAINED IN IT ARE PROPRIETARY AND CONFIDENTIAL TO HEPTAGON SYSTEMS. NO PERSON IS ALLOWED TO COPY, REPRINT, REPRODUCE OR PUBLISH ANY PART OF THIS DOCUMENT NOR DISCLOSE ITS CONTENTS TO OTHERS, NOR MAKE ANY USE OF IT, NOR ALLOW OR ASSIST OTHERS TO MAKE ANY USE OF IT-UNLESS BY THE PRIOR WRITTEN EXPRESS AUTHORIZATION OF HEPTAGON SYSTEMS AND THEN ONLY TO THE EXTENT AUTHORIZED. (C) COPYRIGHT- HEPTAGON SYSTEMS

SHEET REV STATUS
ALL SHEETS ARE THE SAME REVISION

REVISION RECORD				
REV	ECO	DESCRIPTION	DATE	APVD



UNLESS OTHERWISE SPECIFIED DIMENSIONS ARE IN MM PER ASME Y14.5 - 2009 TOLERANCES LINEAR ±0.2 ANGULAR ±0.5 1st ANGLE PROJECTION SURFACE TEXTURE IN Micro INCH 	CONTRACT NO				
	PREP	NAME			TITLE HQ-BOX Mounting instructions
	CHKD		SIZE	CAGE CODE	DWG NO
	APPR		SCALE	AUTOMATED DRAWING (SW)	SHEET 1 OF 1
PROJ		POME PROJECT		POME MODEL HQ-BOX Mount Dimensions-Wide_V	
MFG		STATUS			
QA					

PME_BOX_Mount Dimensions-Wide_V 1