

4

3

2

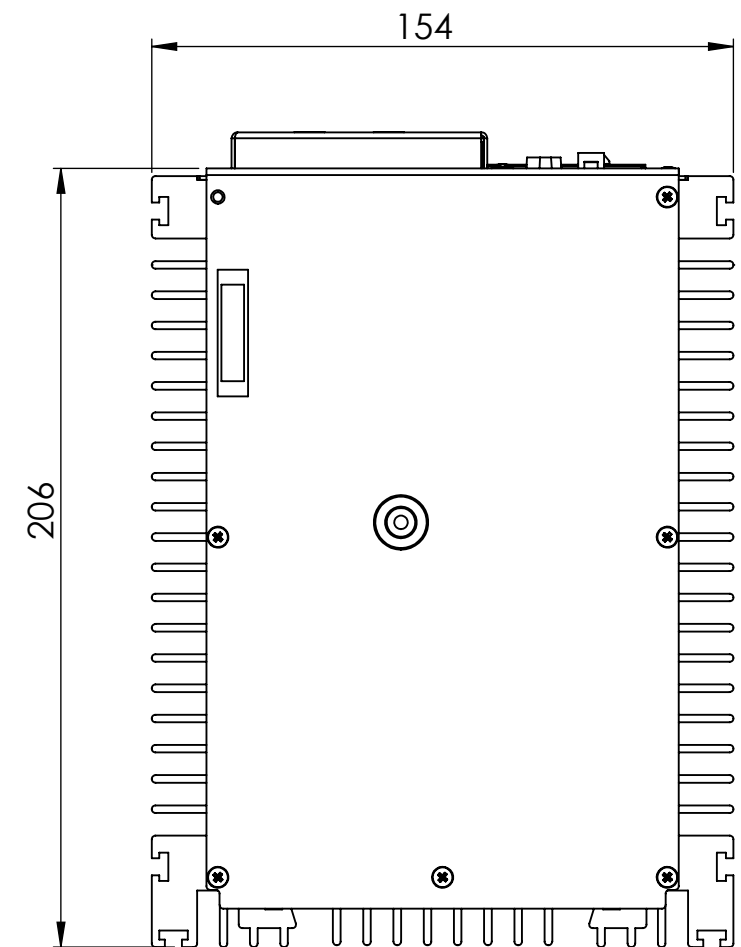
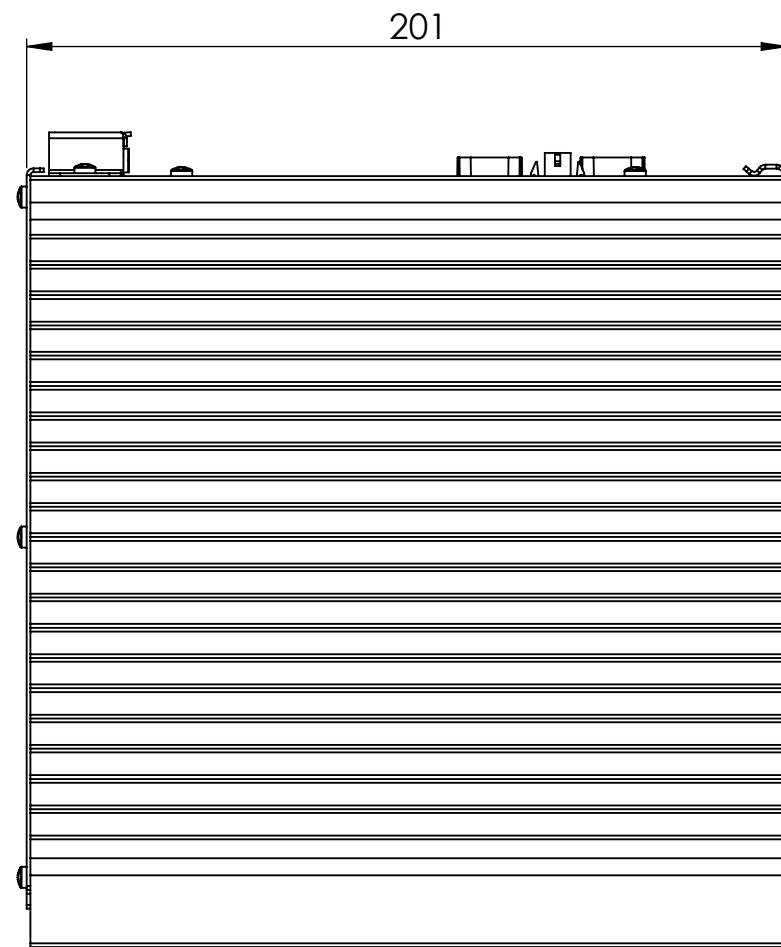
1

THIS DOCUMENT AND THE INFORMATION CONTAINED IN IT ARE PROPRIETARY AND CONFIDENTIAL TO HEPTAGON SYSTEMS. NO PERSON IS ALLOWED TO COPY, REPRINT, REPRODUCE OR PUBLISH ANY PART OF THIS DOCUMENT NOR DISCLOSE ITS CONTENTS TO OTHERS, NOR MAKE ANY USE OF IT, NOR ALLOW OR ASSIST OTHERS TO MAKE ANY USE OF IT-UNLESS BY THE PRIOR WRITTEN EXPRESS AUTHORIZATION OF HEPTAGON SYSTEMS AND THEN ONLY TO THE EXTENT AUTHORIZED. (C) COPYRIGHT- HEPTAGON SYSTEMS

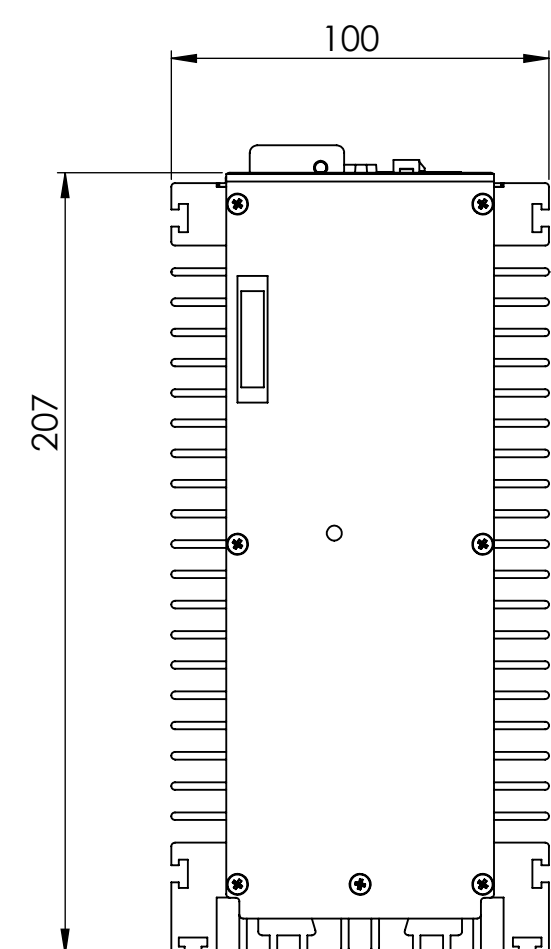
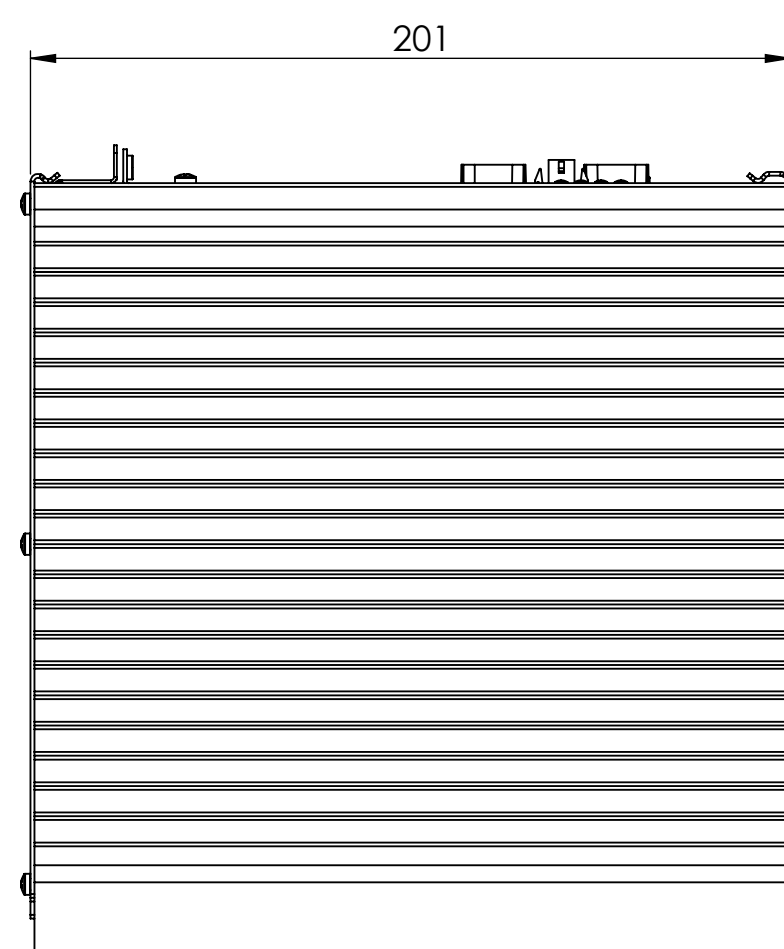
SHEET REV STATUS  
ALL SHEETS ARE THE SAME REVISION

REVISION RECORD				
REV	ECO	DESCRIPTION	DATE	APVD

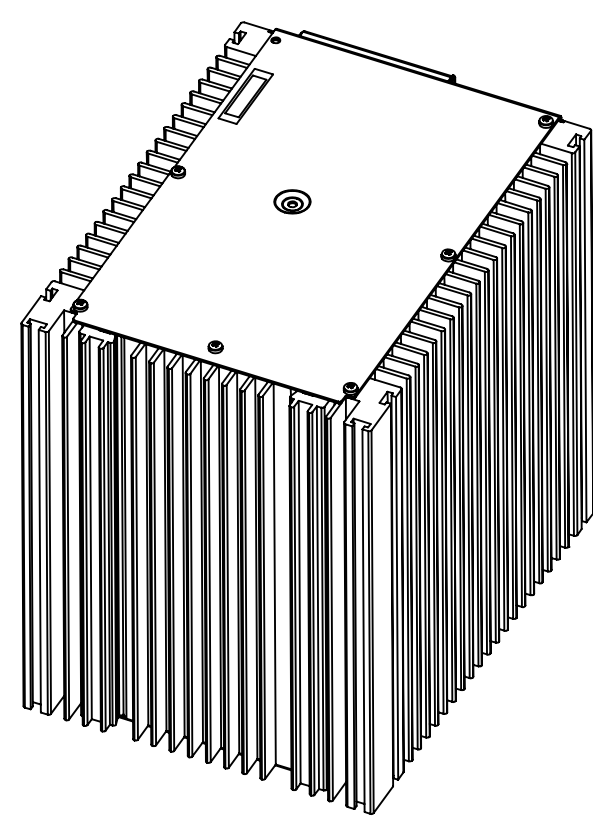
NOTE:  
1. WIDTH MESUREMENT IS DIFFERENT.



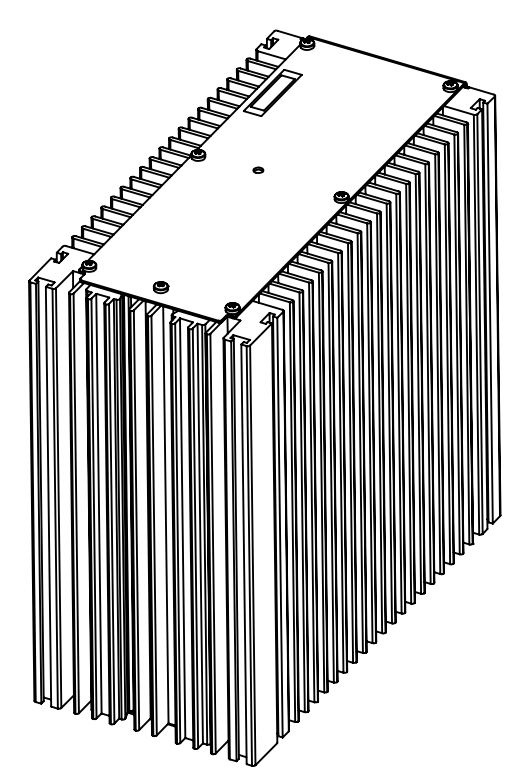
**WIDE**



**SLIM**



**WIDE**



**SLIM**

DWG NO: HQ-BOX external dimensions SH 1

UNLESS OTHERWISE SPECIFIED DIMENSIONS ARE IN MM PER ASME Y14.5 - 2009		CONTRACT NO			
TOLERANCES LINEAR SEE NOTE    ANGULAR SEE NOTE		PREP	NAME		
1st ANGLE PROJECTION		CHKD		SIZE	CAGE CODE
SURFACE TEXTURE IN Micro INCH		APPR		C	S0123
		PROJ		DWG NO	
		MFG		SCALE	1:1
		QA		AUTOMATED DRAWING (SW)	SHEET 1 OF 1
		POME PROJECT		POME MODEL	
				HQ-BOX Wall hanger	
				STATUS	

4

3

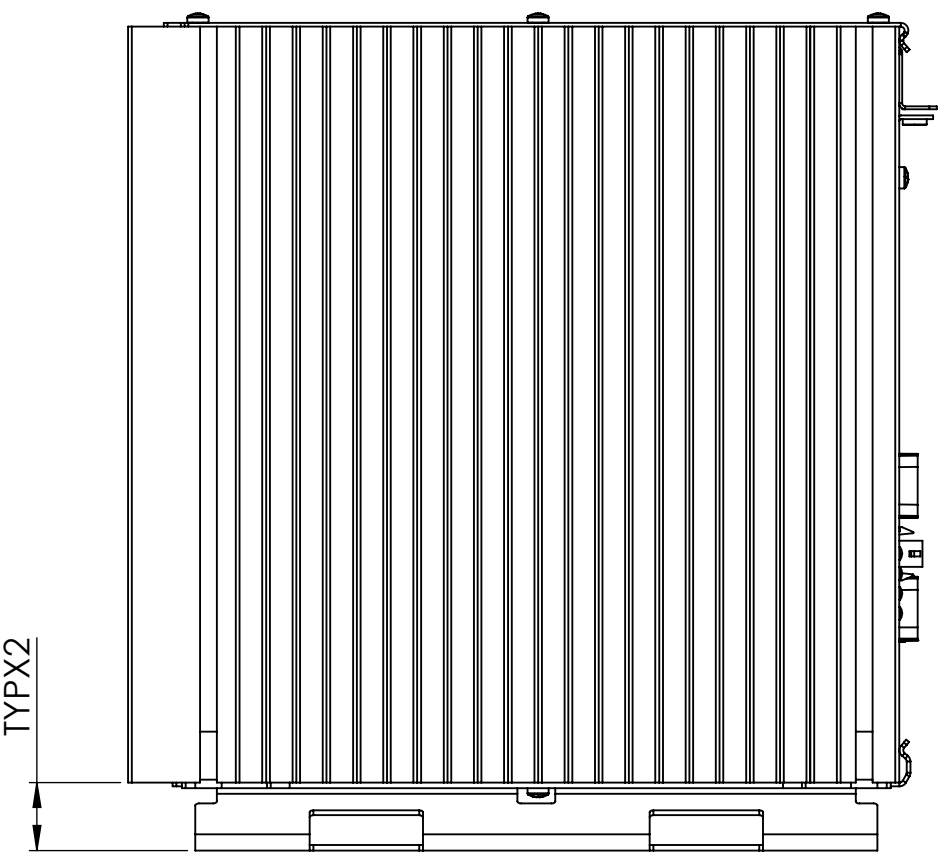
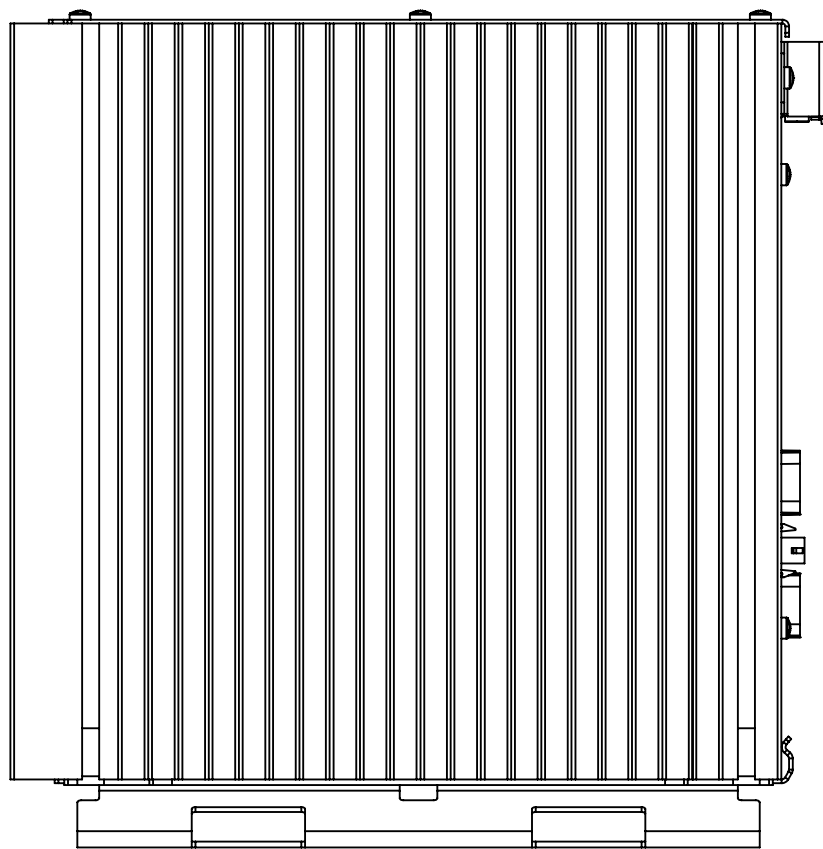
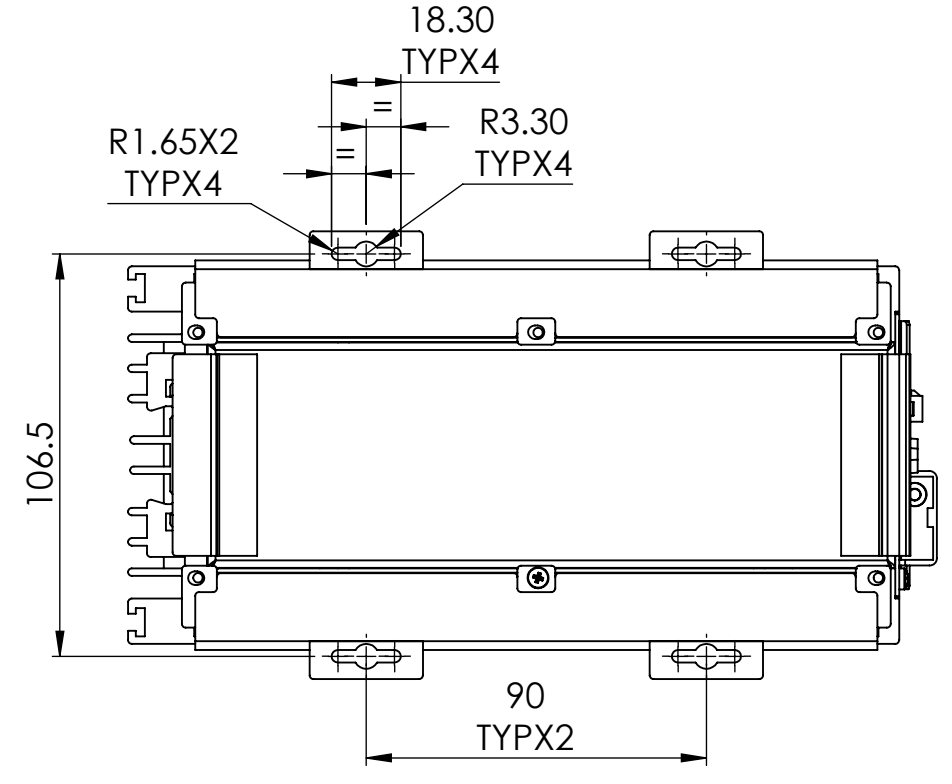
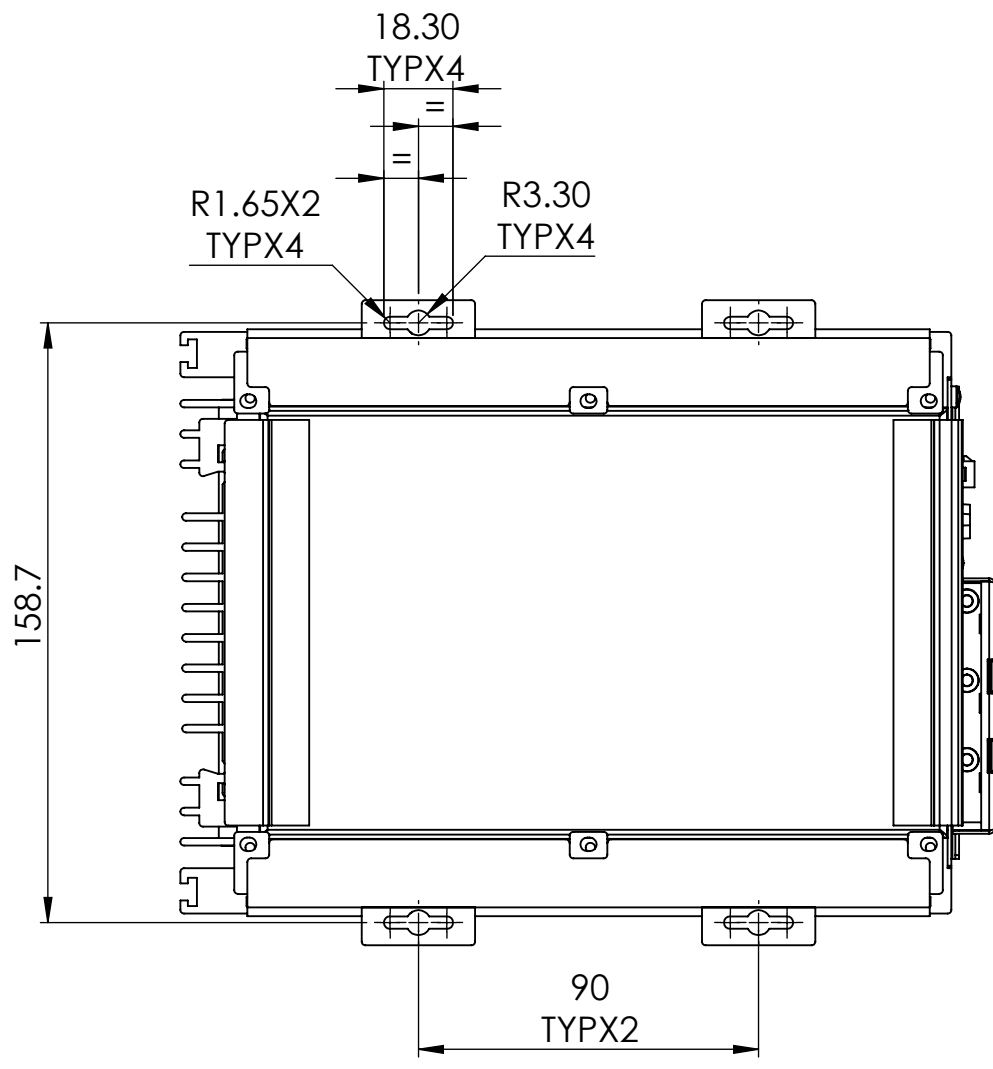
2

A

THIS DOCUMENT AND THE INFORMATION CONTAINED IN IT ARE PROPRIETARY AND CONFIDENTIAL TO HEPTAGON SYSTEMS. NO PERSON IS ALLOWED TO COPY, REPRINT, REPRODUCE OR PUBLISH ANY PART OF THIS DOCUMENT NOR DISCLOSE ITS CONTENTS TO OTHERS, NOR MAKE ANY USE OF IT, NOR ALLOW OR ASSIST OTHERS TO MAKE ANY USE OF IT-UNLESS BY THE PRIOR WRITTEN EXPRESS AUTHORIZATION OF HEPTAGON SYSTEMS AND THEN ONLY TO THE EXTENT AUTHORIZED. (C) COPYRIGHT- HEPTAGON SYSTEMS

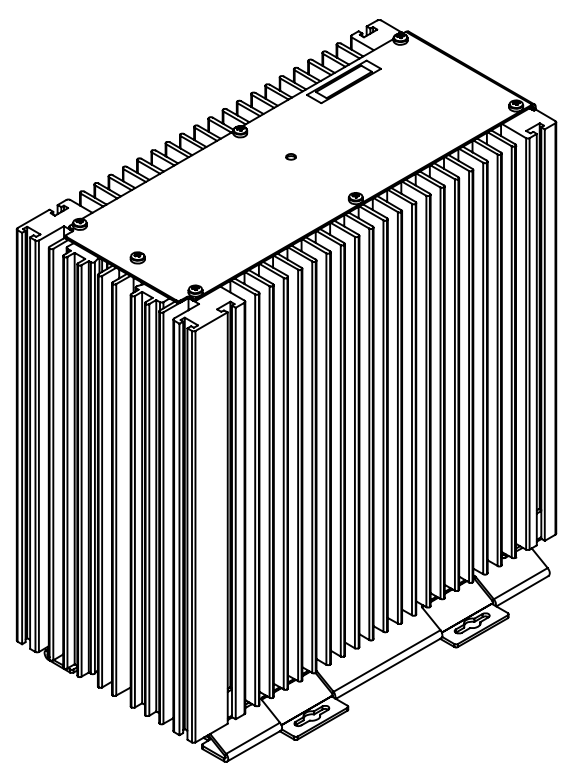
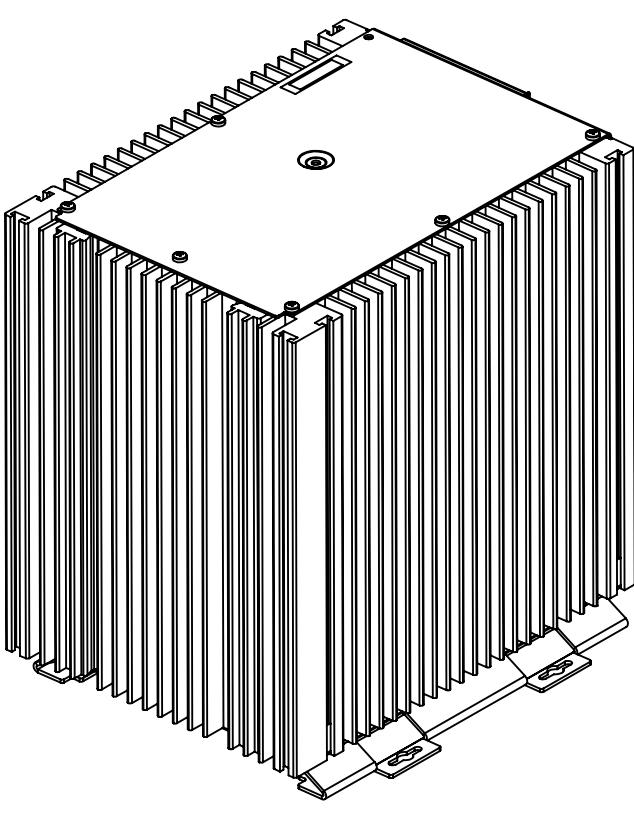
SHEET REV STATUS  
ALL SHEETS ARE THE SAME REVISION

REVISION RECORD				
REV	ECO	DESCRIPTION	DATE	APVD



**WIDE**

**SLIM**



**WIDE**

**SLIM**

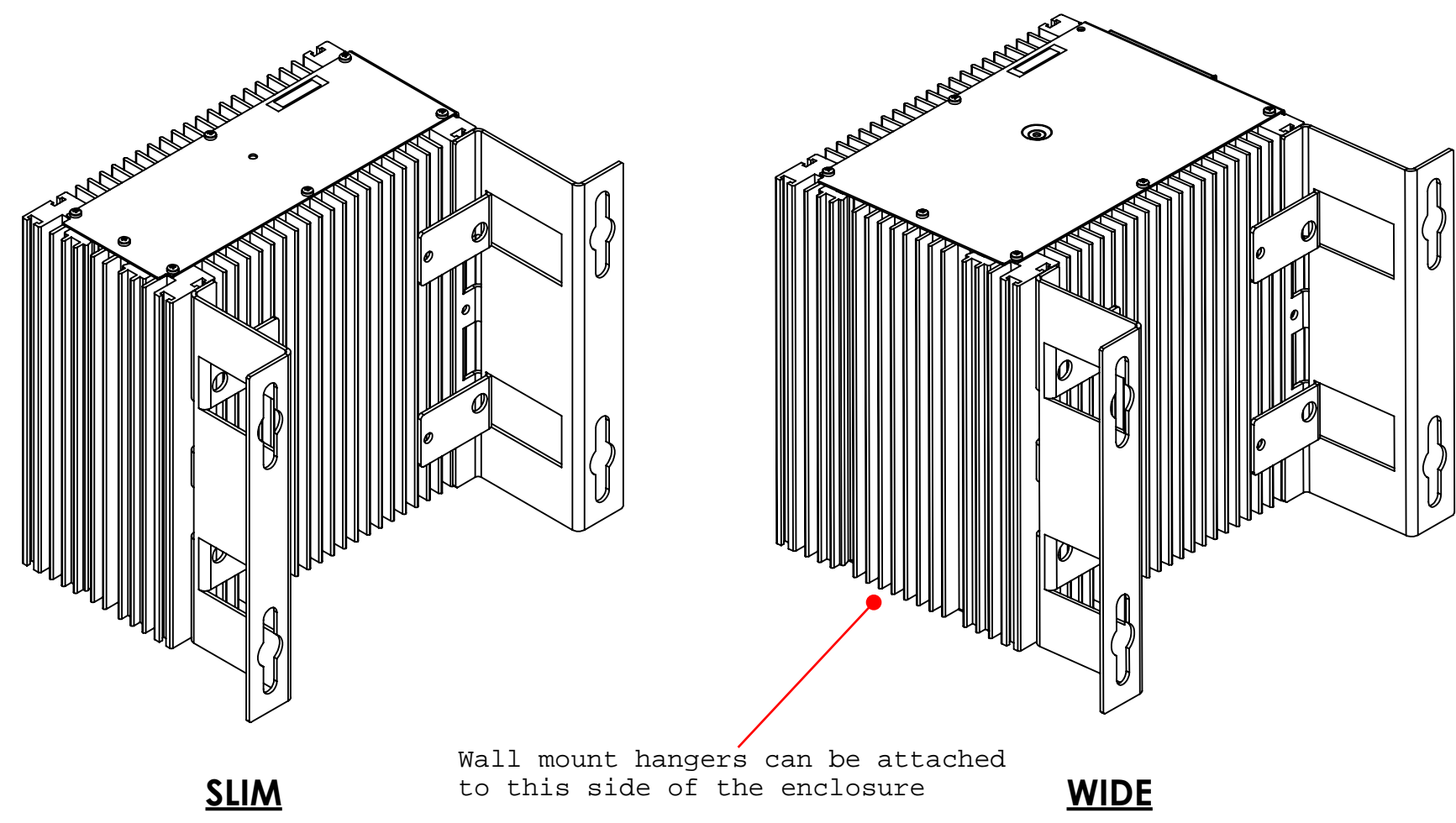
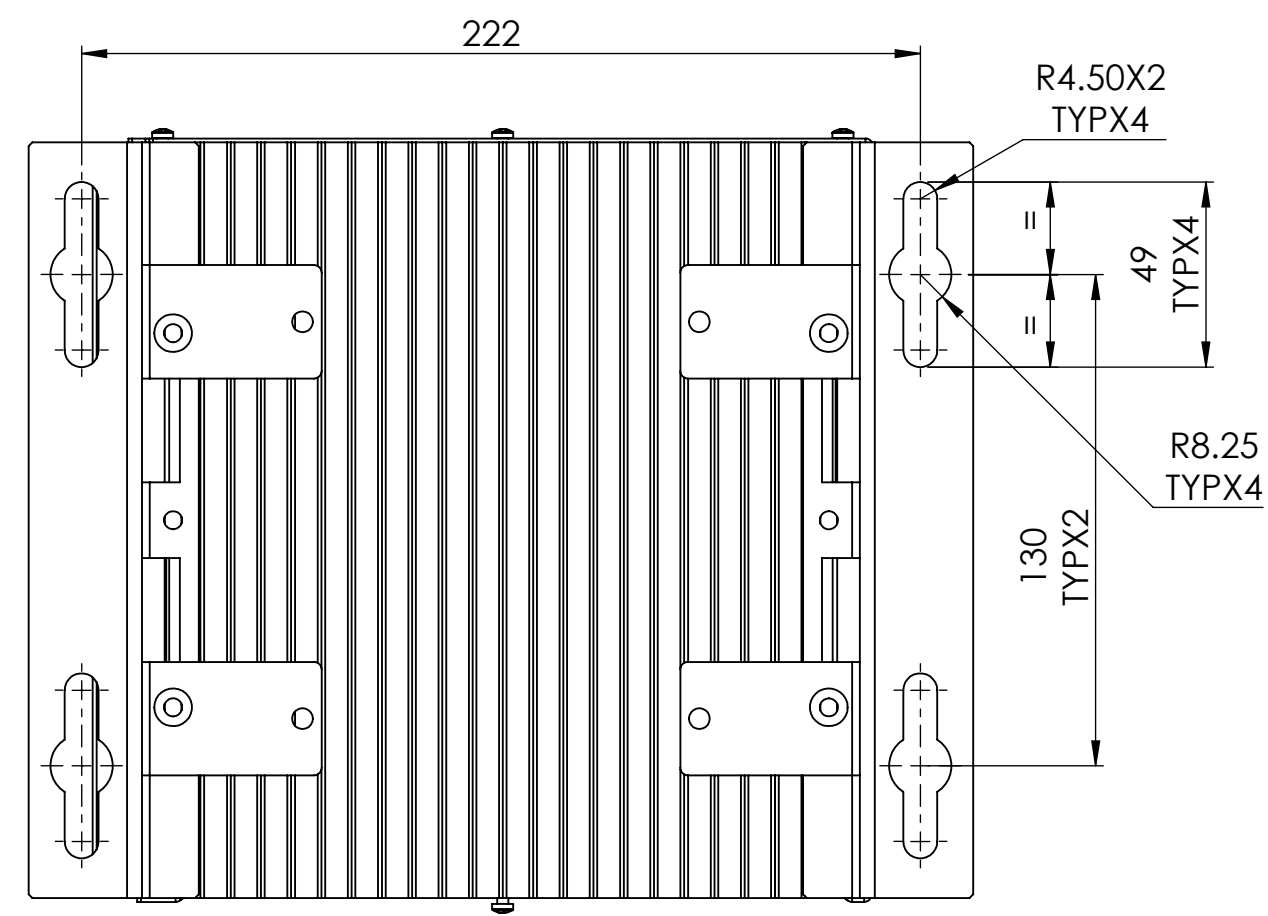
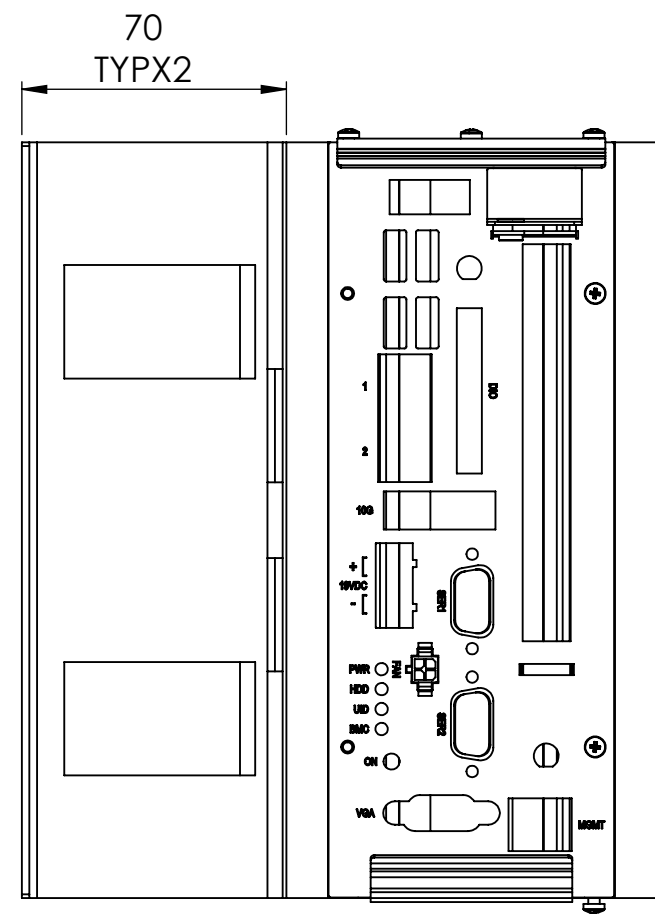
UNLESS OTHERWISE SPECIFIED DIMENSIONS ARE IN MM PER ASME Y14.5 - 2009 TOLERANCES LINEAR SEE NOTE    ANGULAR SEE NOTE 1st ANGLE PROJECTION SURFACE TEXTURE IN Micro INCH	CONTRACT NO			
	PREP	NAME		
	CHKD		HQ-BOX desktop mount	
	APPR		SIZE	CAGE CODE
PROJ		C	S0123	
MFG		SCALE	AUTOMATED DRAWING (SW)	
QA		1:1	SHEET 1 OF 1	
POME PROJECT		POME MODEL		STATUS
		HQ-BOX Wall hanger		

DWG NO H-BOX desktop mount SH 1

THIS DOCUMENT AND THE INFORMATION CONTAINED IN IT ARE PROPRIETARY AND CONFIDENTIAL TO HEPTAGON SYSTEMS. NO PERSON IS ALLOWED TO COPY, REPRINT, REPRODUCE OR PUBLISH ANY PART OF THIS DOCUMENT NOR DISCLOSE ITS CONTENTS TO OTHERS, NOR MAKE ANY USE OF IT, NOR ALLOW OR ASSIST OTHERS TO MAKE ANY USE OF IT-UNLESS BY THE PRIOR WRITTEN EXPRESS AUTHORIZATION OF HEPTAGON SYSTEMS AND THEN ONLY TO THE EXTENT AUTHORIZED. (C) COPYRIGHT- HEPTAGON SYSTEMS

SHEET REV STATUS  
ALL SHEETS ARE THE SAME REVISION

REVISION RECORD				
REV	ECO	DESCRIPTION	DATE	APVD



UNLESS OTHERWISE SPECIFIED DIMENSIONS ARE IN MM PER ASME Y14.5 - 2009	CONTRACT NO		<b>HEPTAGON</b> SYSTEMS	
	PREP	NAME	TITLE <b>HQ-BOX Wall hanger</b>	
TOLERANCES LINEAR      ANGULAR SEE NOTE      SEE NOTE	CHKD		SIZE	CAGE CODE
1st ANGLE PROJECTION 	APPR		<b>C</b>	<b>S0123</b>
SURFACE TEXTURE IN Micro INCH 	PROJ		SCALE	1:1
	MFG		AUTOMATED DRAWING (SW)	
	QA		SHEET 1 OF 1	
			POME PROJECT	
			POME MODEL	
			HQ-BOX Wall hanger	
			STATUS	

DWG NO H-BOX Wall hanger SH 1